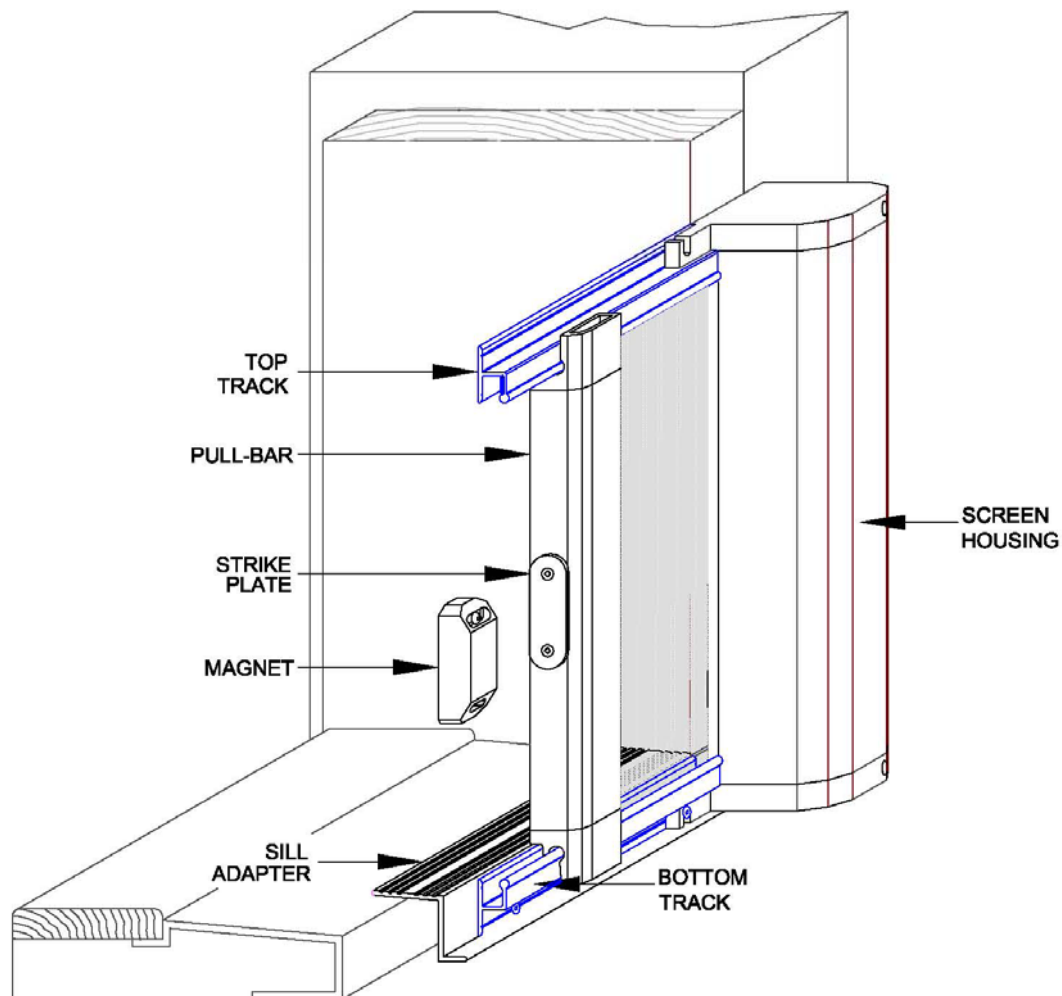


## Sill Adapters

When installing the roller screen it is important to have a flush surface on all four sides of the door. One vertical surface is used to mount the screen housing, while the top and bottom tracks mount to the two horizontal surfaces. The last side is used to seal the opening when the pull-bar is drawn across and held against it by the magnet and strike.



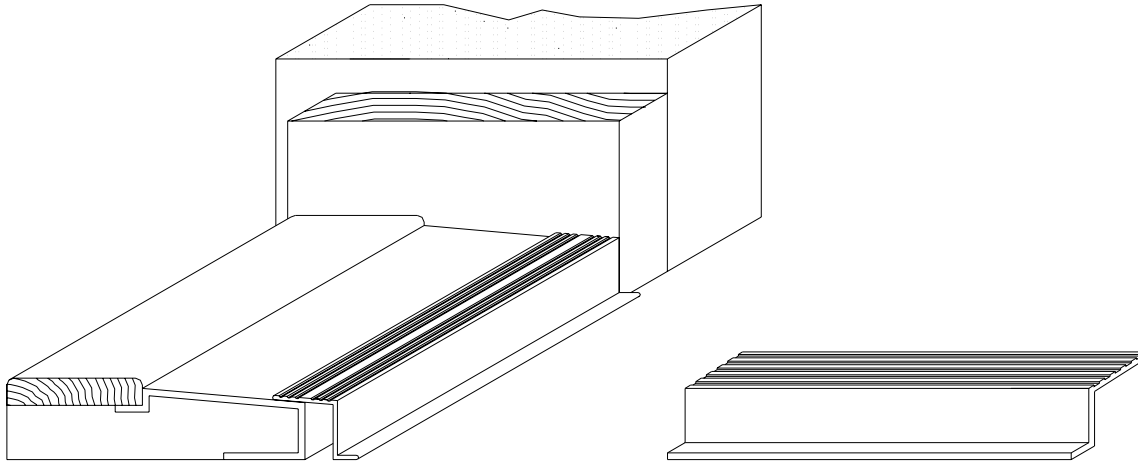
Very often this condition exists on three sided, but must be created at the threshold. In most situations, sill adapters will allow you to create this condition so that the bottom track can be mounted.

## Sill Adapters

---

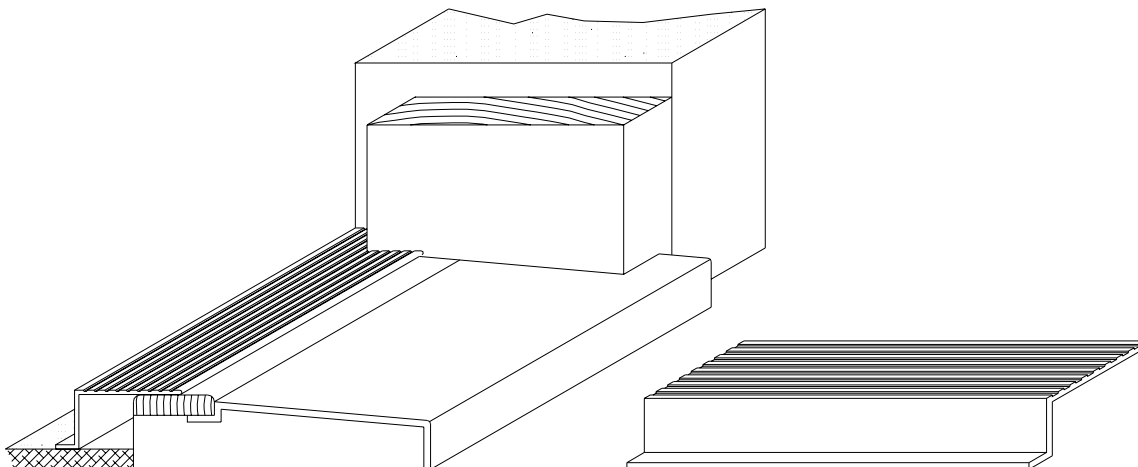
### EXTERIOR SILL ADAPTER

For screens mounted on the exterior of a doorway with an existing sloping sill.



### INTERIOR SILL ADAPTER

For screens mounted on the interior of a doorway with an existing flat sill.

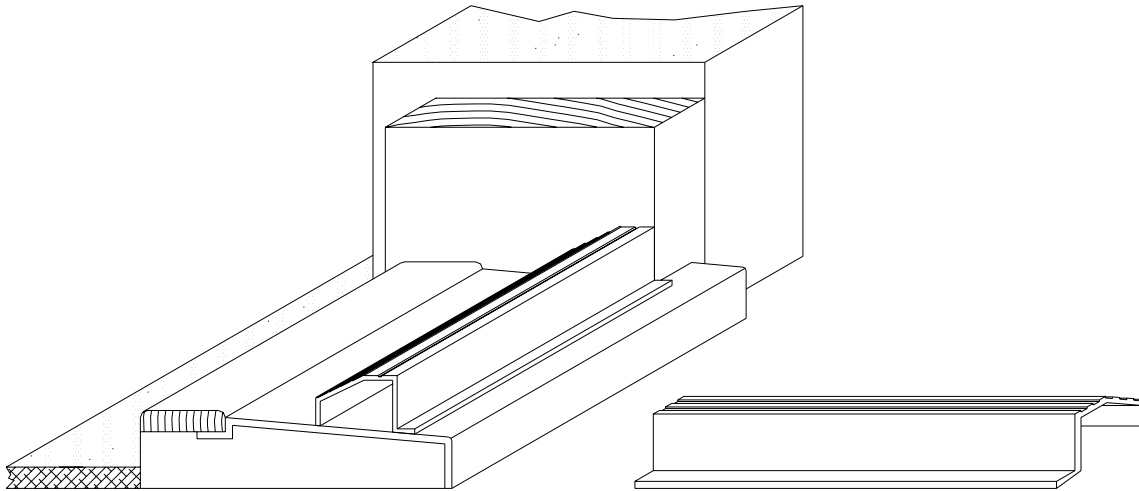


## Sill Adapters

---

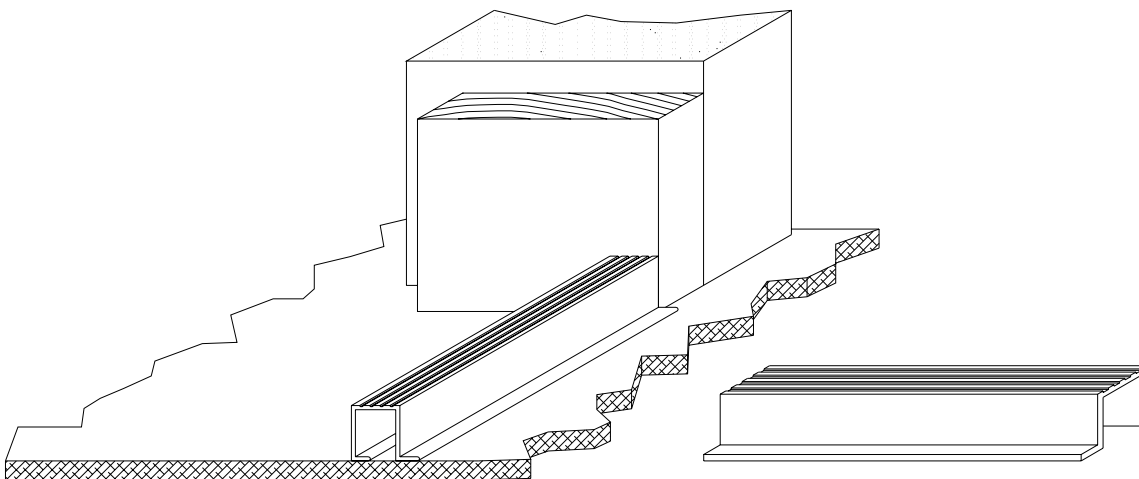
### TOP SILL ADAPTER

For screens mounted on the top of a sloping threshold.



### TRIM SILL ADAPTER

For screens mounted to a doorway with no threshold.

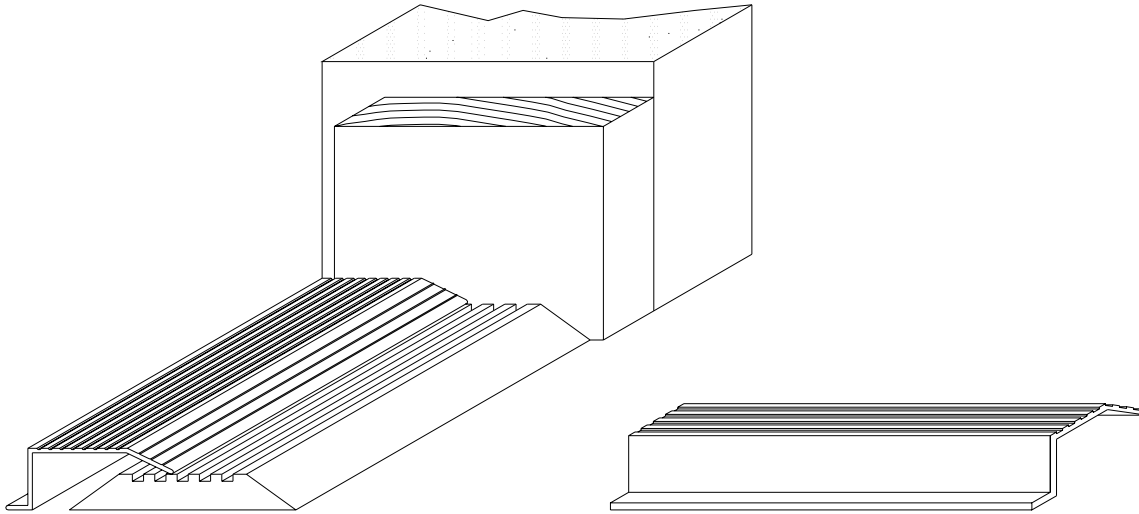


## Sill Adapters

---

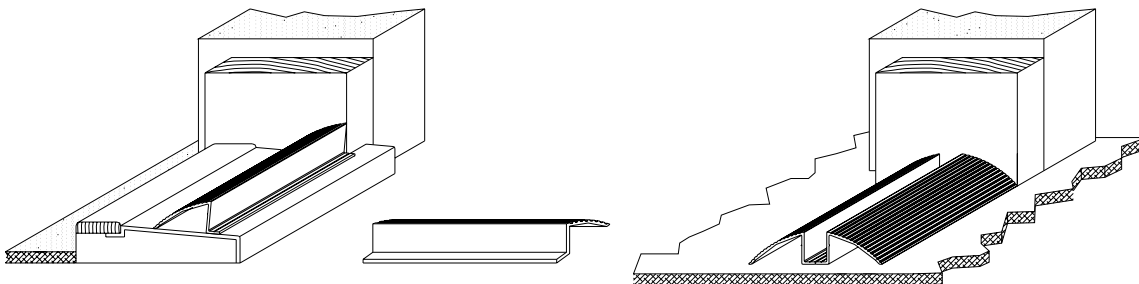
### THRESHOLD SILL ADAPTER

For screens mounted to a doorway with commercial threshold.



### RAMP SILL ADAPTER

Provides a sloping surface minimizing tripping. When installed back to back, they form a ramp that protects the bottom track. This adapter works in the same applications as the “Top” and “Trim” sill adapters.



## Sill Adapters

---

### WIDE SILL ADAPTER

For covering existing threshold.

